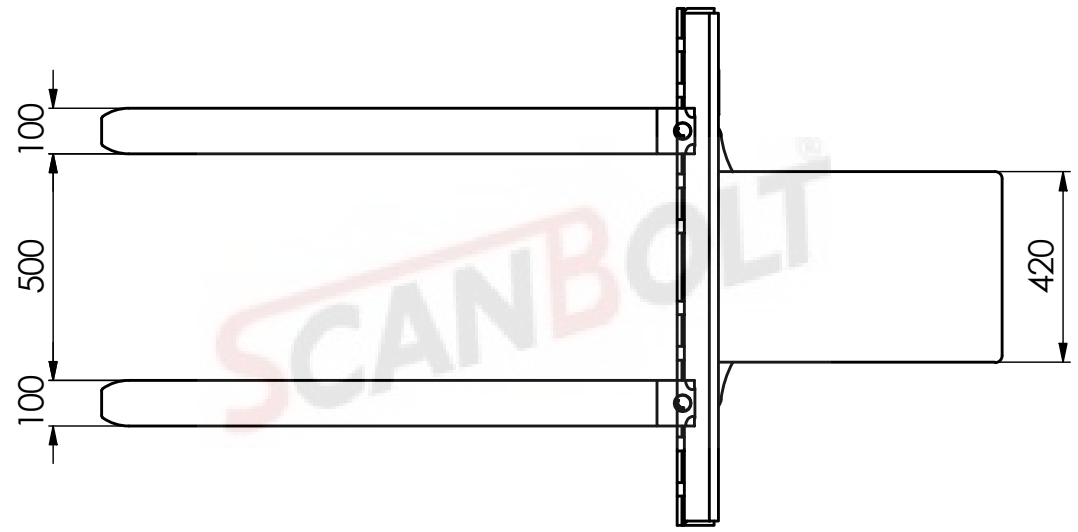
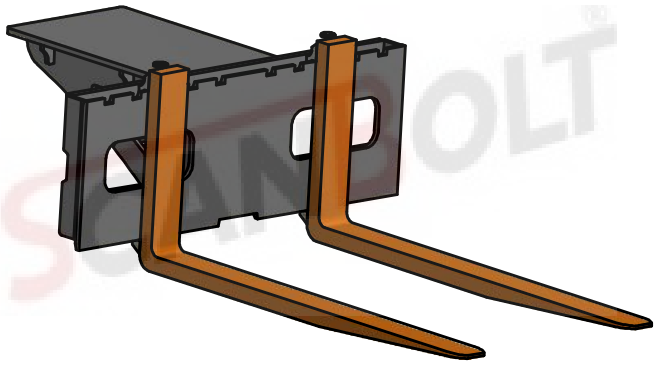


8 7 6 5 4 3 2 1

D

D

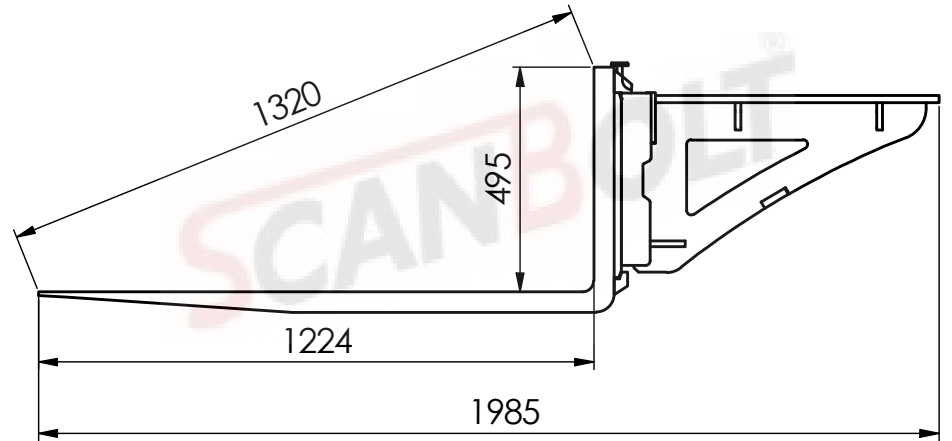
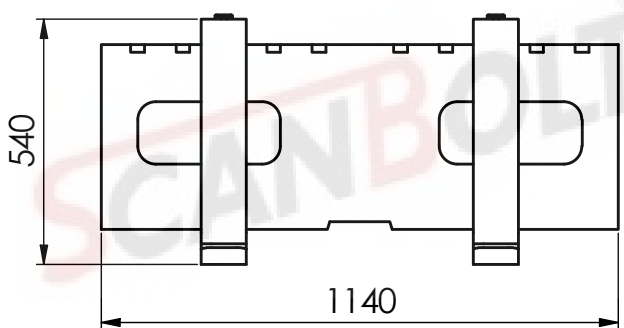


C

C






B

B



A

A

MATERIAL SPECIFICATION	
	ST52.3
	EN8D
	HB 400
	HB 450
	CASTALLOY STEEL

SCANBOLT®	
DESCRIPTION	PALLET FRAME WITH FORK
MACHINE CLASS	5-16 TON
WEIGHT	257.69 KG
HEAPED CAPACITY	

8 7 6 5 4 3 2 1